

**RESEARCH  
SERIES**

**NISTIR 89-4189**

**NIST  
PUBLICATIONS**

**AMRF PART MODEL EXTENSIONS**

**October 5, 1989**

**By:  
Allison Barnard**



QC

100

.U56

89-4189

1989

C.2

NATIONAL INSTITUTE OF STANDARDS &  
TECHNOLOGY  
Research Information Center  
Gaithersburg, MD 20899

**DATE DUE**


NISTC

QC100

.U56

no. 89-4189

1989

C.2

## AMRF Part Model Extensions

Allison Barnard  
October 1989

This publication was prepared by United States Government Employees as part of their official duties and is, therefore, a work of the U. S. Government and not subject to copyright.

Certain commercial equipment, instruments, or materials are identified in this paper in order to adequately specify the experimental procedure. Such identification does not imply recommendation or endorsement by the National Institute of Standards and Technology, nor does it imply that the materials or equipment identified are necessarily the best available for the purpose.



## TABLE OF CONTENTS

1.	INTRODUCTION	1
	1.1 Motivation	1
	1.2 Audience	1
	1.3 Overview	1
2.	PART MODEL EXTENSIONS	2
	2.1 Structure of the Part Model Format	2
	2.2 Explanation of Formal Language Syntax	2
	2.3 Use of the Part Model Extensions	3
	APPENDICES	4
	APPENDIX A. GRAMMAR	4
	APPENDIX B. DICTIONARY STRUCTURES	6
	APPENDIX C. TYPE DEFINITIONS	7
	APPENDIX D. SAMPLE PART MODEL FILES	9
	REFERENCES	26

## LIST OF FIGURES

Figure 1.	Topology and Geometry Hierarchy in a Boundary Model	2
Figure 2.	Sketch of Solid Model Containing Ellipses	9
Figure 3.	Sketch of Solid Model Containing Hyperbolas	14
Figure 4.	Torpedo Motor Containing B-Splines	20

# AMRF Part Model Extensions

## 1 INTRODUCTION

### 1.1 Motivation

The AMRF part model format was created as a data specification language for the communication of product data between manufacturing application processes and the global database within the Automated Manufacturing Research Facility [Barkmeyer86]. The part model report format was intended to be a temporary solution to a subset of the complex problems in automating manufacturing that were not being addressed by the current standard Initial Graphics Exchange Specification (IGES). The experience gained through the implementation of the format was to be used as input for developing national standards [Hopp87a] such as ISO's Product Data Exchange Specification (PDES) [Smith88].

This document specifies the addition of coordinate system independent representations of ellipses, hyperbolas, parabolas and non-rational, uniform b-splines to the part model report. These changes were the recommendation of a Manufacturing Data Preparation project working group [Fowler88]. While the addition of these entities does not resolve all the shortcomings of the format, it was necessary to allow the use of more complex test parts within the AMRF. Further geometric extensions will result from the migration to PDES.

### 1.2 Audience

This document is a reference guide to the grammar of the extensions to the AMRF part model. This document is intended to be used by programmers implementing systems that will make use of AMRF part model data. It is expected that the user is familiar with the contents of the document "AMRF Database Report Format: Part Model" [Hopp87b] as this document contains only the additions to the part model format. The two documents must be used in conjunction with each other for completeness.

### 1.3 Overview

Section 2 of this document describes the structure and syntax of the part model report grammar and mentions tools that use the format. Appendix A provides a formal

definition of the new grammar. Appendix B contains the revised dictionary definition. Appendix C provides a formal definition of the new data types. Appendix D contains sample part model files along with sketches of the parts being modeled.

## 2 PART MODEL EXTENSIONS

### 2.1 Structure of the Part Model Format

The AMRF part model format has five main sections; header, topology, geometry, features and functionality. At minimum, the report must contain the geometry and topology of a valid boundary representation solid model. Figure 1 illustrates the structure of the geometry and topology hierarchy. Ellipse, hyperbola, parabola and b-spline all fall under the curves subsection of the geometry section of the part model format.

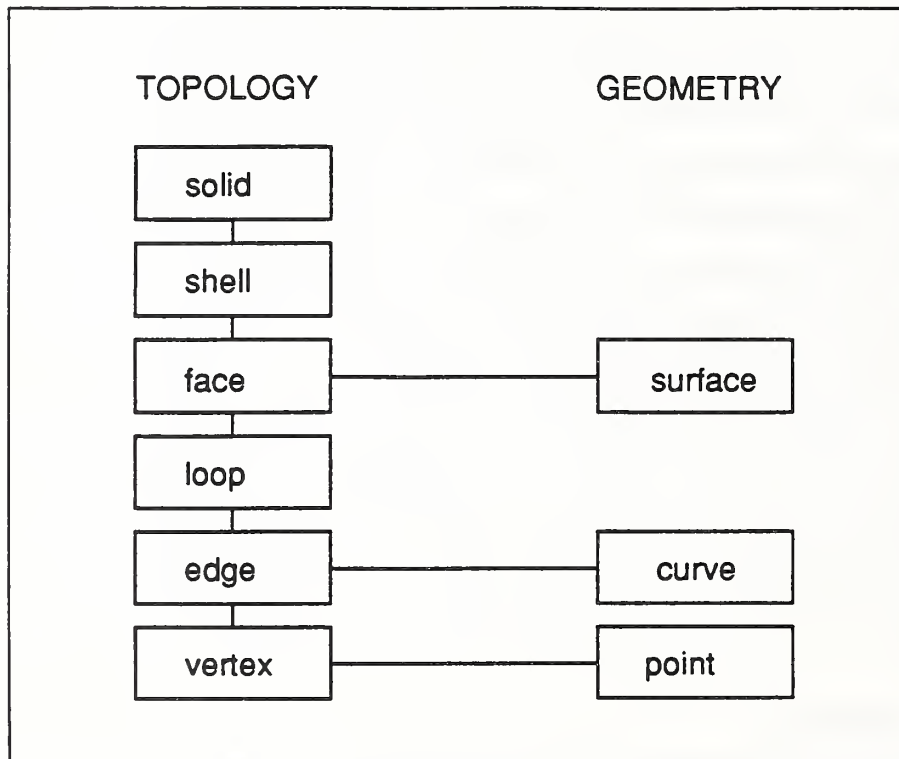


Figure 1. Topology and Geometry Hierarchy in a Boundary Model [Hopp87b]

### 2.2 Explanation of Formal Language Syntax

The additions, like the rest of the part model grammar, are expressed in Backus Naur Form (BNF); a context free syntax. This grammar has been annotated with semantic rules that define how the reports should be interpreted when parsed. The semantic rules express the standard AMRF interpretation for these reports. As such, these rules should be viewed as a guide, rather than a requirement as to how the parser should be implemented.



The syntax rules are of the form:

left-hand-side ::= right-hand-side

where the left-hand-side is a single non-terminal symbol in the grammar and the right-hand-side is a sequence of one or more grammar symbols. Grammar symbols in the right-hand-side that are to appear verbatim in the report appear in boldface type. All other symbols are enclosed in angle brackets <like this>. Terminal symbols other than literals are underlined. Numbers are the only terminal symbols that appear in the extensions, they have a *val* attribute that represents the value of the number.

Semantic rules are associated with each reduction in the grammar. They define how attributes from the left-hand-side of a reduction should be computed from attributes of the right-hand-side syntactic elements. The semantic rules are divided into two parts: the first labeled **Semantics** defines the actions that should be taken when a particular reduction is applied during the parsing. The **Constraints** section defines consistency criteria that can be used at the time a reduction is applied to check for errors in the report.

The semantic rules make use of global dictionary data structures. Dictionaries may be any sort of convenient data structure, from a linked list to a hash table to a relational database. They function as symbol tables for objects named in the report. A dictionary should be considered an array of identical elements indexed by symbolic names. The extensions defined in this report specify new entity structures for `curveDictionary`. The semantic rules refer to entities in `pointDictionary` and `unitVectorDictionary`. Entities in all dictionaries are named entities; entities in different dictionaries in the same part may have the same name, while still being distinct entities. For further details see [Hopp87b].

### 2.3 Use of the Part Model Extensions

Several tools exist which support the AMRF part model format. Manufacturing applications within the AMRF receive information from the part model through a parser which treats the report as a source of data and creates a set of initialized data structures in memory. An updated version of the part model parser exists and can be invoked by following the directions found in "Using the AMRF Part Model Format" [Ressler87]. Prototype part model report generation software has been implemented on several publicly available CAD systems at NIST. Solid model representations of parts created on these systems may be extracted from the proprietary database and converted to the AMRF part model format. The part model report may then be translated into a subset of PDES/STEP by another translator. For details on PDES conversion, see "Converting the AMRF Part Model Report to a PDES/STEP Subset" [Lee88].

## APPENDIX A: GRAMMAR

1. `<curve-description> ::= ELLIPSE; <point-id>; <unit-vector-id>1; <unit-vector-id>2;  
    <number>1; <number>2.`

**Semantics:**

```
curve(<curve-description>)<--
  ELLIPTICAL_CURVE(
    center: pointDictionary [name(<point-id>)],
    major_axis: unitVectorDictionary [name(<unit-vector-id>1)],
    normal: unitVectorDictionary [name(<unit-vector-id>2)],
    major_radius: val(<number>1),
    minor_radius: val(<number>2))
```

**Constraints:**

```
If d1 = dir(unitVectorDictionary [name(<unit-vector-id>1)])
    d2 = dir(unitVectorDictionary [name(<unit-vector-id>2)])

Then d1 · d2 = 0
<number>1, <number>2 > 0
```

2. `<curve-description> ::= HYPERBOLA; <point-id>; <unit-vector-id>1; <unit-vector-id>2; <number>1; <number>2.`

**Semantics:**

```
curve(<curve-description>)<--
  HYPERBOLIC_CURVE(
    center: pointDictionary [name(<point-id>)],
    major_axis: unitVectorDictionary [name(<unit-vector-id>1)],
    normal: unitVectorDictionary [name(<unit-vector-id>2)],
    major_radius: val(<number>1),
    minor_radius: val(<number>2))
```

**Constraints:**

```
If d1 = dir(unitVectorDictionary [name(<unit-vector-id>1)])
    d2 = dir(unitVectorDictionary [name(<unit-vector-id>2)])

Then d1 · d2 = 0
<number>1, <number>2 > 0
```

The branch of the hyperbola represented is that pointed to by the major\_axis.

3. `<curve-description> ::= PARABOLA; <point-id>; <unit-vector-id>1; <unit-vector-id>2; <number>.`

**Semantics:**

```

curve(<curve-description><--
  PARABOLIC_CURVE(
    center: pointDictionary [name(<point-id>)],
    focal_dir: unitVectorDictionary [name(<unit-vector-id>1)],
    normal: unitVectorDictionary [name(<unit-vector-id>2)],
    focal_dist: val(<number>))

```

**Constraints:**

If  $d_1 = \text{dir}(\text{unitVectorDictionary} [\text{name}(\langle \text{unit-vector-id} \rangle_1)])$

$d_2 = \text{dir}(\text{unitVectorDictionary} [\text{name}(\langle \text{unit-vector-id} \rangle_2)])$

Then  $d_1 \cdot d_2 = 0$

$\langle \text{number} \rangle \neq 0$

4.  $\langle \text{curve-description} \rangle ::= \text{B-SPLINE}; \langle \text{number} \rangle_1; \langle \text{number} \rangle_2; \langle \text{point-id-list} \rangle.$

**Semantics:**

```

curve(<curve-description><--
  B-SPLINE_CURVE(
    degree: val(<number>1),
    number_control_points: val(<number>2),
    control_points: points(<point-id-list>))

```

**Constraints:**

$\text{val}(\langle \text{number} \rangle_1)$  is an integer  $\geq 0$

$\text{val}(\langle \text{number} \rangle_2)$  is an integer  $\geq (\text{val}(\langle \text{number} \rangle_1) + 1)$

$\langle \text{point-id-list} \rangle$  is an array  $[1..\text{val}(\langle \text{number} \rangle_2)]$  of points

5.  $\langle \text{point-id-list} \rangle ::= \langle \text{point-id} \rangle$

**Semantics:**

```

points(<point-id-list><--
  LIST(
    head: pointDictionary[name(<point-id>)],
    tail: nil)

```

**Constraints: NONE**

6.  $\langle \text{point-id-list} \rangle_1 ::= \langle \text{point-id} \rangle, \langle \text{point-id-list} \rangle_2$

**Semantics:**

```

points(<point-id-list>1<--
  LIST(
    head: pointDictionary[name(<point-id>)],
    tail: points(<point-id-list>2))

```

**Constraints: NONE**

## APPENDIX B: DICTIONARY STRUCTURES

### curveDictionary

index: curve id string

contents:

name: curve id string

curve: a curve description

A curve description can now be one of ELLIPTICAL\_CURVE, HYPERBOLIC\_CURVE, PARABOLIC\_CURVE, B-SPLINE\_CURVE data structures in addition to the LINEAR\_CURVE and CIRCULAR\_CURVE data structures previously allowed.

The following dictionary structures are unchanged but are included for completeness:

### pointDictionary

index: point id string

contents:

name: point id string

vec: a vector

A vector is a VECTOR data structure.

### unitVectorDictionary

index: unit vector id string

contents:

name: unit vector id string

dir: a direction

A direction is a UNIT\_VECTOR data structure.

## APPENDIX C: TYPE DEFINITIONS

### ELLIPTICAL\_CURVE

A structure with five fields:

center: a point  
major\_axis: a direction  
normal: a direction  
major\_radius: a number  
minor\_radius: a number

A point data structure is an entry in pointDictionary. A direction data structure is an entry in the unitVectorDictionary.

### HYPERBOLIC\_CURVE

A structure with five fields:

center: a point  
major\_axis: a direction  
normal: a direction  
major\_radius: a number  
minor\_radius: a number

A point data structure is an entry in pointDictionary. A direction data structure is an entry in the unitVectorDictionary.

### PARABOLIC\_CURVE

A structure with four fields:

center: a point  
focal\_dir: a direction  
normal: a direction  
focal\_dist: a number

A point data structure is an entry in pointDictionary. A direction data structure is an entry in the unitVectorDictionary.

### B-SPLINE\_CURVE

A structure with three fields:

degree: a number  
number\_control\_points: a number  
control\_points: a list of points

A point data structure is an entry in pointDictionary.

The type LIST was used in "AMRF Database Report Format: Part Model" but was omitted from the type definitions. It is included here for the sake of completeness.

**LIST**

A LIST is either the constant nil or a structure with two fields:

head: an element from a dictionary  
tail: a LIST

The data structure of the head is determined by the dictionary in which the element occurs.

The types VECTOR and UNIT\_VECTOR are unchanged but are included here for the completeness.

**VECTOR**

A structure with three fields:

x: a number  
y: a number  
z: a number

**UNIT\_VECTOR**

A structure with three fields:

x: a number  
y: a number  
z: a number

## APPENDIX D: SAMPLE PART MODEL FILES

The following examples are included to illustrate the use of the extensions. To test the implementation of these extensions, solid models containing the curves were created on the Computervision CAD system. A prototype extraction tool developed in-house was then used to convert between Computervision's proprietary database and the AMRF part model report format. In the text, the curve representations have been emboldened.

### Ellipse

The part ELLIPSE\_TEST was created by subtracting a block from a cylinder such that the block intersected the curved surface at an angle. There are four distinct ellipses represented in this model. The part model file follows Figure 2.

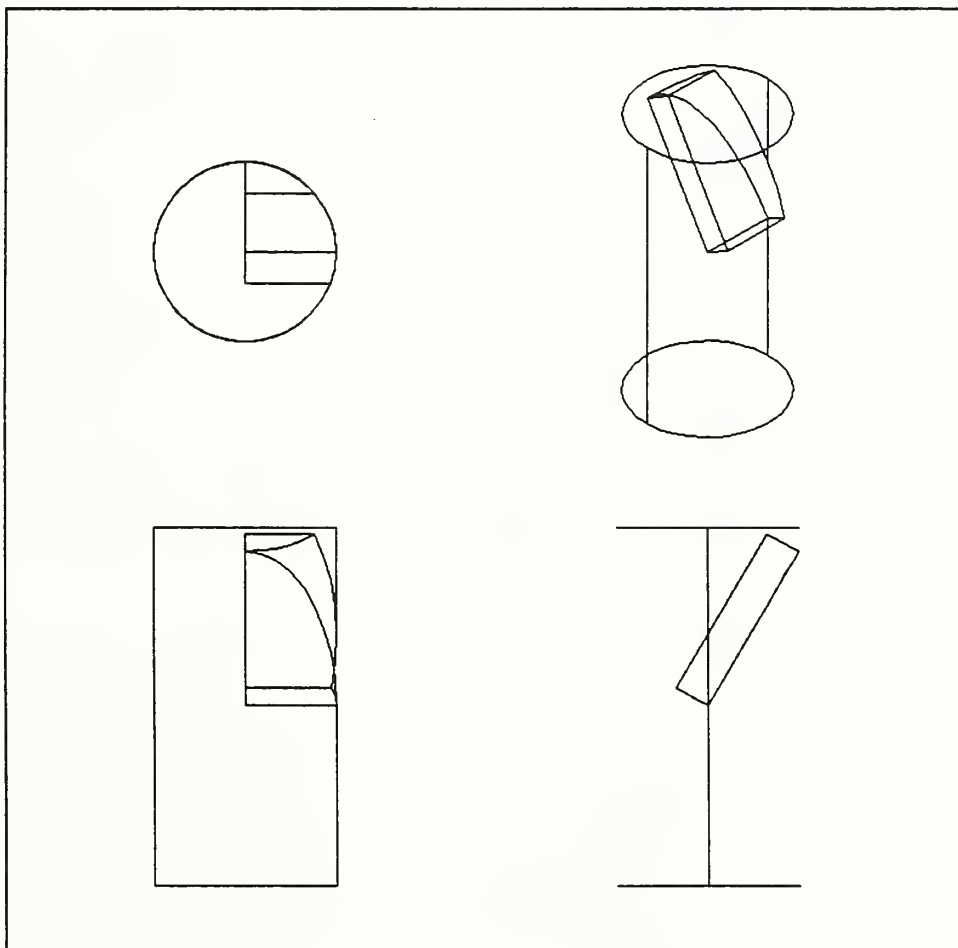


Figure 2. Sketch of Solid Model Containing Ellipses

```
/PART_MODEL
/HEADER
    PART_NAME = 'ELLIPSE_TEST'.
/END_HEADER
/TOPOLOGY
/SHELLS
    SHL1;FAC280,FAC281,FAC282,FAC284,FAC283,FAC285,FAC286,FAC295,FAC297.
/END_SHELLS
/FACES
    FAC280;LOP28001;SRF288 + .
    FAC281;LOP28101;SRF289 + .
    FAC282;LOP28201;SRF290 + .
    FAC284;LOP28401;SRF291 + .
    FAC283;LOP28301;SRF292 + .
    FAC285;LOP28501;SRF293 + .
    FAC286;LOP28601;SRF294 + .
    FAC295;LOP29501;SRF296 + .
    FAC297;LOP29701;SRF298 + .
/END_FACES
/LOOPS
    LOP28001;EDG301-,EDG264+,EDG270-,EDG299+.
    LOP28101;EDG266+,EDG299-,EDG268+,EDG276+.
    LOP28201;EDG268-,EDG270+,EDG279+.
    LOP28401;EDG264-,EDG262+,EDG278-.
    LOP28301;EDG277-,EDG262-,EDG301+,EDG266-,EDG275-.
    LOP28501;EDG276-,EDG272-,EDG307+,EDG305+,EDG303-,EDG274-,EDG275+.
    LOP28601;EDG274+,EDG311-,EDG305-,EDG309+,EDG272+,EDG279-,EDG278+,
    EDG277+.
    LOP29501;EDG303+,EDG311+.
    LOP29701;EDG309-,EDG307-.
/END_LOOPS
/EDGES
    EDG299;VTX316,VTX315;CRV300 +.
    EDG270;VTX316,VTX260;CRV269 +.
    EDG264;VTX317,VTX260;CRV263 +.
    EDG301;VTX317,VTX315;CRV302 +.
    EDG276;VTX258,VTX257;CRV252 +.
    EDG268;VTX316,VTX258;CRV267 +.
    EDG266;VTX257,VTX315;CRV265 +.
    EDG279;VTX260,VTX258;CRV255 +.
```



EDG278;VTX260,VTX256; CRV254 +.  
EDG262;VTX317,VTX256; CRV261 +.  
EDG275;VTX259,VTX257; CRV251 +.  
EDG277;VTX256,VTX259; CRV253 +.  
EDG274;VTX259,VTX319; CRV273 +.  
EDG303;VTX319,VTX318; CRV304 +.  
EDG305;VTX314,VTX318; CRV306 +.  
EDG307;VTX313,VTX314; CRV308 +.  
EDG272;VTX313,VTX258; CRV271 +.  
EDG309;VTX314,VTX313; CRV310 +.  
EDG311;VTX318,VTX319; CRV312 +.

/END\_EDGES

/VERTICES

VTX316;PNT3160.  
VTX315;PNT3150.  
VTX260;PNT2600.  
VTX317;PNT3170.  
VTX258;PNT2580.  
VTX257;PNT2570.  
VTX256;PNT2560.  
VTX259;PNT2590.  
VTX319;PNT3190.  
VTX318;PNT3180.  
VTX314;PNT3140.  
VTX313;PNT3130.

/END\_VERTICES

/END\_TOPOLOGY

/GEOMETRY

/SURFACES

SRF288; PLANE; UNV2650; 0.00000000 .  
SRF289; PLANE; UNV2510; 0.00000000 .  
SRF290; PLANE; UNV2540; 0.00000000 .  
SRF291; PLANE; UNV2521; 10.00000000 .  
SRF292; PLANE; UNV3000; 2.00000000 .  
SRF293; CYLINDER; PNT3080; UNV2730; 5.00000000 .  
SRF294; CYLINDER; PNT3080; UNV2730; 5.00000000 .  
SRF296; PLANE; UNV2730; 10.00000000 .  
SRF298; PLANE; UNV2730; -10.00000000 .

/END\_SURFACES

/CURVES

CRV300; LINE; PNT3160; UNV3000.  
CRV269; LINE; PNT3160; UNV2690.  
CRV263; LINE; PNT3170; UNV2630.  
CRV302; LINE; PNT3170; UNV3020.  
**CRV252; ELLIPSE; PNT3160; UNV3000; UNV2521; 5.77350283; 5.00000000 .**  
CRV267; LINE; PNT3160; UNV2670.  
CRV265; LINE; PNT2570; UNV2650.  
**CRV255; ELLIPSE; PNT2550; UNV2521; UNV3000; 10.00000000; 5.00000000 .**  
**CRV254; ELLIPSE; PNT2540; UNV2540; UNV2521; 5.77350283; 5.00000000 .**  
CRV261; LINE; PNT3170; UNV2670.  
**CRV251; ELLIPSE; PNT2510; UNV2510; UNV3000; 10.00000000; 5.00000000 .**  
**CRV253; ELLIPSE; PNT2510; UNV2510; UNV3000; 10.00000000; 5.00000000 .**  
CRV273; LINE; PNT2590; UNV2730.  
CRV304; CIRCLE; PNT3040; UNV2730; PNT3190.  
CRV306; LINE; PNT3140; UNV2730.  
CRV308; CIRCLE; PNT3080; UNV2730; PNT3130.  
CRV271; LINE; PNT3130; UNV2730.  
CRV310; CIRCLE; PNT3080; UNV2730; PNT3101.  
CRV312; CIRCLE; PNT3040; UNV2730; PNT3121.

/END\_CURVES

/POINTS

PNT3160; 0.00000000, 0.00000000, 0.00000000 .  
PNT3150; 0.00000000, -1.00000000, 1.73205078 .  
PNT2600; 0.00000000, -8.66025448, -5.00000000 .  
PNT3170; 0.00000000, -9.66025448, -3.26794910 .  
PNT2580; 5.00000000, 0.00000046, 0.00000000 .  
PNT2570; 4.69041586, -1.00000000, 1.73205078 .  
PNT2560; 3.78424478, -9.66025448, -3.26794910 .  
PNT2590; 5.00000000, -3.99999952, 0.00000000 .  
PNT3190; 5.00000000, -10.00000000, 0.00000000 .  
PNT3180; -5.00000000, -10.00000000, 0.00000000 .  
PNT3140; -5.00000000, 10.00000000, 0.00000000 .  
PNT3130; 5.00000000, 10.00000000, 0.00000000 .  
PNT2550; 0.00000000, -0.00000030, 0.00000000 .  
PNT2540; 0.00000000, -11.54700565, 0.00000000 .  
PNT2510; 0.00000000, -4.00000048, 0.00000000 .  
PNT3040; 0.00000000, -10.00000000, 0.00000000 .  
PNT3080; 0.00000000, 10.00000000, 0.00000000 .  
PNT3101; -5.00000000, 10.00000000, -0.00000044 .  
PNT3121; -5.00000000, -10.00000000, -0.00000044 .

```
/END_POINTS
/UNIT_VECTORS
  UNV3000; 0.00000000, -0.50000000, 0.86602539 .
  UNV2690; 0.00000000, -0.86602539, -0.49999997 .
  UNV2630; 0.00000000, 0.49999997, -0.86602539 .
  UNV3020; 0.00000000, 0.86602539, 0.49999997 .
  UNV2521; 0.00000000, -0.86602539, -0.50000000 .
  UNV2670; 1.00000000, 0.00000000, 0.00000000 .
  UNV2650; -1.00000000, 0.00000000, 0.00000000 .
  UNV2540; 0.00000000, 0.50000000, -0.86602539 .
  UNV2510; 0.00000000, 0.86602539, 0.50000000 .
  UNV2730; 0.00000000, -1.00000000, 0.00000000 .
/END_UNIT_VECTORS
/END_GEOMETRY
/END_PART_MODEL
```

## Hyperbola

The part HYPERBOLA\_TEST was modeled by subtracting a block from a cone where the sides of the block were parallel to and as long as the axis of the cone. There are four distinct hyperbolas in the model. The complete part model file follows the illustration in Figure 3.

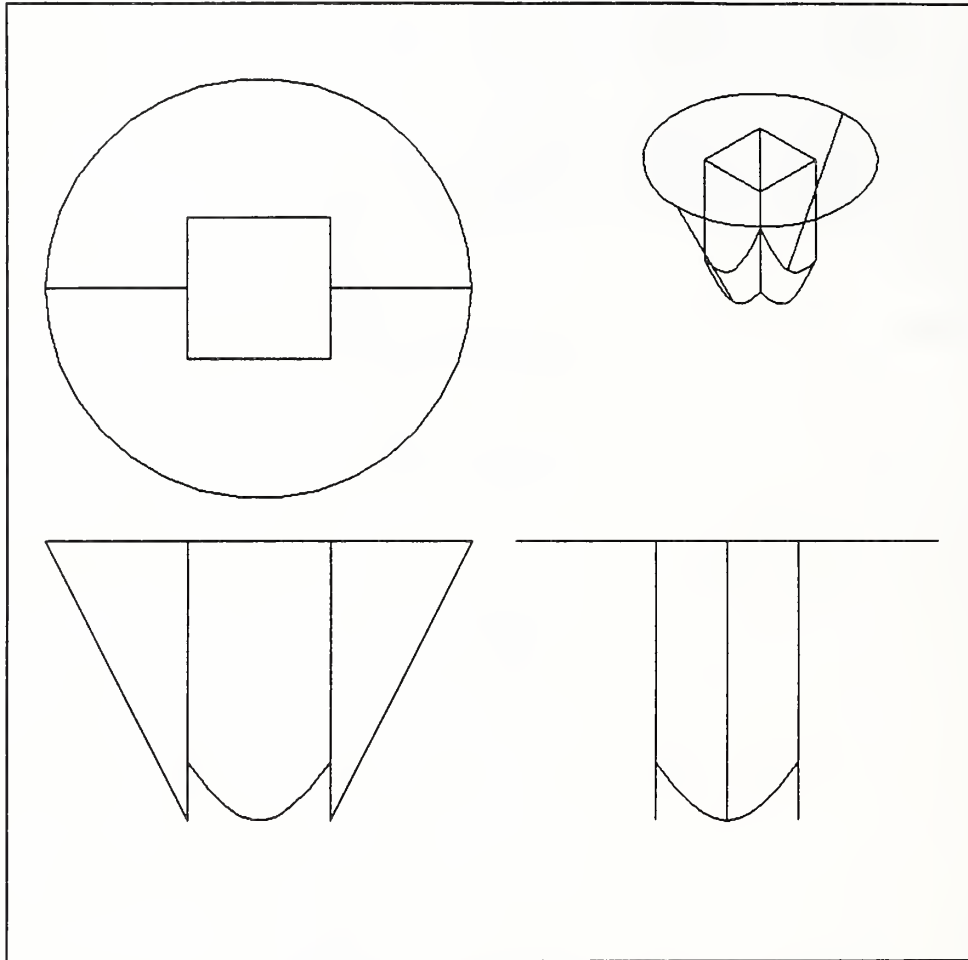


Figure 3. Sketch of Solid Model Containing Hyperbolas

```

/PART_MODEL
/HEADER
    PART_NAME = 'HYPERBOLA_TEST'.
/END_HEADER
/TOPOLOGY
/SHELLS
    SHL1;FAC2075,FAC2081,FAC2076,FAC2077,FAC2078,FAC2079,FAC2080.
/END_SHELLS

```

## /FACES

FAC2075;LOP207501; SRF2083 + .  
FAC2081;LOP208101; SRF2084 + .  
FAC2076;LOP207601; SRF2085 + .  
FAC2077;LOP207701,LOP207702; SRF2086 + .  
FAC2078;LOP207801; SRF2087 + .  
FAC2079;LOP207901; SRF2088 + .  
FAC2080;LOP208001; SRF2089 + .

## /END\_FACES

## /LOOPS

LOP207501;EDG2074-,EDG2073-,EDG2054-,EDG2090+,EDG2056+,EDG2072-.  
LOP208101;EDG2062-,EDG2072+,EDG2069+,EDG2064-,EDG2065+.  
LOP207601;EDG2056-,EDG2092+,EDG2054+,EDG2071-,EDG2070-,EDG2069-.  
LOP207701;EDG2090-,EDG2092-.  
LOP207702;EDG2066+,EDG2067-,EDG2068-,EDG2065-.  
LOP207801;EDG2060-,EDG2071+,EDG2073+,EDG2058-,EDG2067+.  
LOP207901;EDG2058+,EDG2074+,EDG2062+,EDG2068+.  
LOP208001;EDG2064+,EDG2070+,EDG2060+,EDG2066-.

## /END\_LOOPS

## /EDGES

EDG2072;VTX2049,VTX2044; CRV2040 +.  
EDG2056;VTX2095,VTX2044; CRV2055 +.  
EDG2090;VTX2094,VTX2095; CRV2091 +.  
EDG2054;VTX2094,VTX2043; CRV2053 +.  
EDG2073;VTX2043,VTX2046; CRV2041 +.  
EDG2074;VTX2046,VTX2049; CRV2042 +.  
EDG2065;VTX2051,VTX2050; CRV2033 +.  
EDG2064;VTX2051,VTX2052; CRV2063 +.  
EDG2069;VTX2044,VTX2052; CRV2037 +.  
EDG2062;VTX2049,VTX2050; CRV2061 +.  
EDG2070;VTX2052,VTX2047; CRV2038 +.  
EDG2071;VTX2047,VTX2043; CRV2039 +.  
EDG2092;VTX2095,VTX2094; CRV2093 +.  
EDG2068;VTX2050,VTX2045; CRV2036 +.  
EDG2067;VTX2045,VTX2048; CRV2035 +.  
EDG2066;VTX2051,VTX2048; CRV2034 +.  
EDG2058;VTX2045,VTX2046; CRV2057 +.  
EDG2060;VTX2047,VTX2048; CRV2059 +.

## /END\_EDGES

## /VERTICES

VTX2049;PNT20490.  
VTX2044;PNT20440.  
VTX2095;PNT20950.  
VTX2094;PNT20940.  
VTX2043;PNT20430.  
VTX2046;PNT20460.  
VTX2051;PNT20510.  
VTX2050;PNT20500.  
VTX2052;PNT20520.  
VTX2047;PNT20470.  
VTX2045;PNT20450.  
VTX2048;PNT20480.

/END\_VERTICES

/END\_TOPOLOGY

/GEOMETRY

/SURFACES

SRF2083; CONE; PNT20831; UNV20910; 0.89442718 .  
SRF2084; PLANE; UNV20401; 1.00000000 .  
SRF2085; CONE; PNT20831; UNV20910; 0.89442718 .  
SRF2086; PLANE; UNV20910; -6.00000000 .  
SRF2087; PLANE; UNV20411; 1.00000000 .  
SRF2088; PLANE; UNV20421; 1.00000000 .  
SRF2089; PLANE; UNV20381; 1.00000000 .

/END\_SURFACES

/CURVES

**CRV2040; HYPERBOLA; PNT20400; UNV20400; UNV20401;  
2.00000000; 1.00000000 .**  
CRV2055; LINE; PNT20950; UNV20550.  
CRV2091; CIRCLE; PNT20910; UNV20910; PNT20940.  
CRV2053; LINE; PNT20940; UNV20530.  
**CRV2041; HYPERBOLA; PNT20410; UNV20400; UNV20411;  
2.00000000; 1.00000000 .**  
**CRV2042; HYPERBOLA; PNT20420; UNV20400; UNV20421;  
2.00000000; 1.00000000 .**  
CRV2033; LINE; PNT20330; UNV20421.  
CRV2063; LINE; PNT20510; UNV20910.  
**CRV2037; HYPERBOLA; PNT20400; UNV20400; UNV20401;  
2.00000000; 1.00000000 .**  
CRV2061; LINE; PNT20490; UNV20400.  
**CRV2038; HYPERBOLA; PNT20380; UNV20400; UNV20381;**

2.00000000; 1.00000000 .

CRV2039; HYPERBOLA; PNT20410; UNV20400; UNV20411;

2.00000000; 1.00000000 .

CRV2093; CIRCLE; PNT20910; UNV20910; PNT20950.

CRV2036; LINE; PNT20360; UNV20411.

CRV2035; LINE; PNT20350; UNV20381.

CRV2034; LINE; PNT20340; UNV20411.

CRV2057; LINE; PNT20450; UNV20910.

CRV2059; LINE; PNT20470; UNV20400.

/END\_CURVES

/POINTS

PNT20490; -1.00000000, -2.82842708, -1.00000000 .

PNT20440; -1.00000000, -2.00000000, 0.00000000 .

PNT20950; -3.00000000, -6.00000000, 0.00000000 .

PNT20940; 3.00000000, -6.00000000, 0.00000000 .

PNT20430; 1.00000000, -2.00000000, 0.00000000 .

PNT20460; 1.00000000, -2.82842708, -1.00000000 .

PNT20510; -1.00000000, -6.00000000, 1.00000000 .

PNT20500; -1.00000000, -6.00000000, -1.00000000 .

PNT20520; -1.00000000, -2.82842708, 1.00000000 .

PNT20470; 1.00000000, -2.82842708, 1.00000000 .

PNT20450; 1.00000000, -6.00000000, -1.00000000 .

PNT20480; 1.00000000, -6.00000000, 1.00000000 .

PNT20400; -1.00000000, 0.00000000, 0.00000000 .

PNT20910; 0.00000000, -6.00000000, 0.00000000 .

PNT20410; 1.00000000, 0.00000000, 0.00000000 .

PNT20420; 0.00000000, 0.00000000, -1.00000000 .

PNT20330; -1.00000000, -6.00000000, 1.00000012 .

PNT20380; 0.00000000, 0.00000000, 1.00000000 .

PNT20360; -1.00000012, -6.00000000, -1.00000000 .

PNT20350; 1.00000000, -6.00000000, -1.00000012 .

PNT20340; -1.00000012, -6.00000000, 1.00000000 .

PNT20831; 0.00000000, 0.00000000, 0.00000000 .

/END\_POINTS

/UNIT\_VECTORS

UNV20400; 0.00000000, -1.00000000, 0.00000000 .

UNV20401; -1.00000000, 0.00000000, 0.00000000 .

UNV20550; 0.44721359, 0.89442718, 0.00000000 .

UNV20910; 0.00000000, 1.00000000, 0.00000000 .

UNV20530; -0.44721359, 0.89442718, 0.00000000 .

UNV20411; 1.00000000, 0.00000000, 0.00000000 .

UNV20421; 0.00000000, 0.00000000, -1.00000000 .

UNV20381; 0.00000000, 0.00000000, 1.00000000 .

/END\_UNIT\_VECTORS

/END\_GEOMETRY

/END\_PART\_MODEL



## **Parabola**

A parabolic intersection curve occurs when a plane is oriented such that the angle of the plane and the angle of the cone surface to the cone axis is the same. However, no Computervision solid models created in this manner contain parabolas. An example of the representation of a parabola is included in the place of a part model file:

**CRV13300; PARABOLA; PNT132920; UNV117340; UNV121220; PNT132897.**

## B-Spline

The part TORPEDO\_MOTOR was also modeled on the Computervision system and is an example of an AMRF test part. The part model file for the torpedo motor is too long to be included in its entirety. This part is an example of the complexity of the parts that can now be handled with the AMRF part model format.

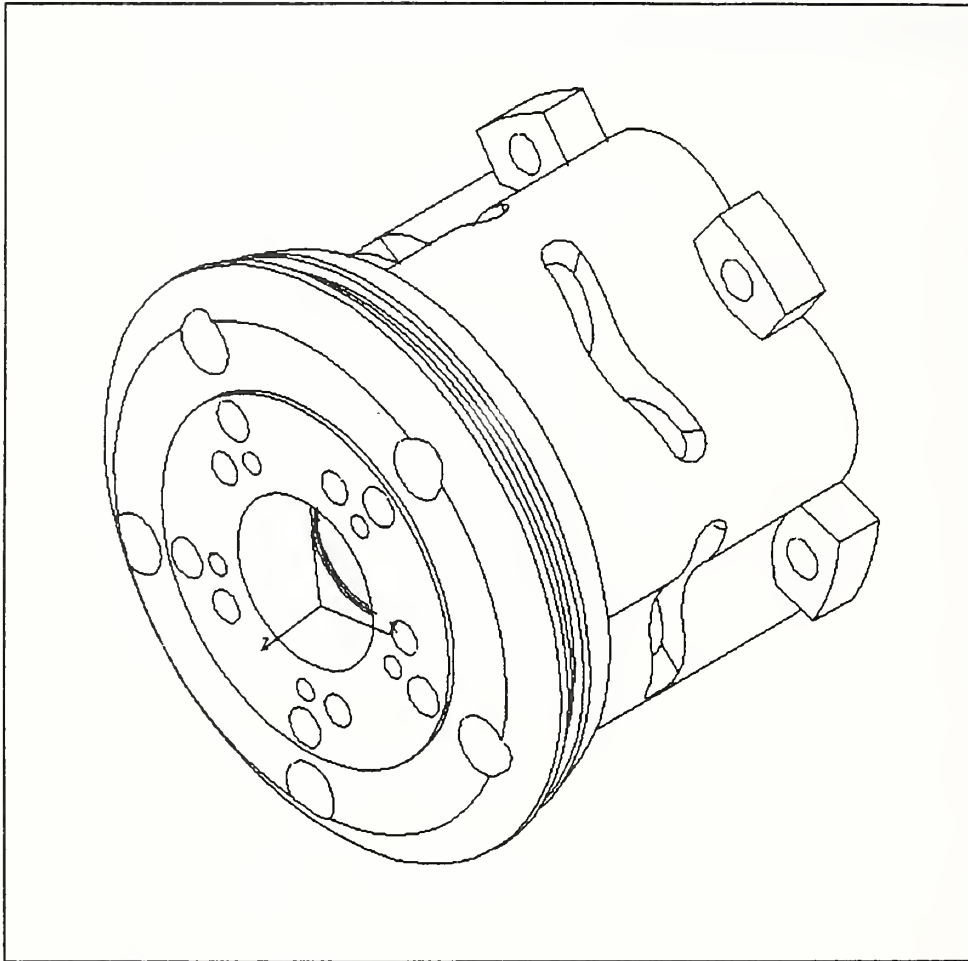


Figure 4. Torpedo Motor Containing B-Splines

```
PART_MODEL
/HEADER
    PART_NAME = 'TORPEDO_MOTOR'.
/END_HEADER
/TOPOLOGY
/SHELLS
    SHL1;FAC11846,FAC11859,FAC11864,FAC11861,FAC11858,FAC11851,
        FAC11872,FAC11874,FAC11876,FAC11878,FAC11880,FAC11882,FAC11884,
        FAC11886,FAC11888,FAC11890,FAC11892,FAC11894,FAC11850,FAC11847,
```

FAC11862,FAC11855,FAC11854,FAC11863,FAC11852,FAC11848,FAC11849,  
 FAC11853,FAC11860,FAC11857,FAC11856,FAC11909,FAC11911,FAC11913,  
 FAC11915,FAC11917,FAC11919,FAC11921,FAC11923,FAC11925,FAC11927,  
 FAC12293,FAC12295,FAC12297,FAC12299,FAC12301,FAC12303,FAC12305,  
 FAC12307,FAC12309,FAC12311,FAC12313,FAC12315,FAC12317,FAC12319,  
 FAC12321,FAC12323,FAC12325,FAC12327,FAC12329,FAC12331,FAC12333,  
 FAC12335,FAC12337,FAC12339,FAC12341,FAC12343,FAC12345,FAC12347,  
 FAC12349,FAC12351,FAC12353,FAC12355,FAC12357,FAC12359,FAC12361,  
 FAC12363,FAC12365,FAC12367,FAC12369,FAC12371,FAC12373,FAC12375.

...

/END\_SHELLS

/FACES

FAC11846;LOP1184601; SRF11866 + .  
 FAC11859;LOP1185901; SRF11867 + .  
 FAC11864;LOP1186401; SRF11868 + .  
 FAC11861;LOP1186101; SRF11869 + .  
 FAC11858;LOP1185801,LOP1185802; SRF11870 + .  
 FAC11851;LOP1185101; SRF11871 + .  
 FAC11872;LOP1187201,LOP1187202,LOP1187203,LOP1187204; SRF11873 + .  
 FAC11874;LOP1187401; SRF11875 + .  
 FAC11876;LOP1187601,LOP1187602; SRF11877 + .  
 FAC11878;LOP1187801; SRF11879 + .  
 FAC11880;LOP1188001; SRF11881 + .

...

/END\_FACES

/LOOPS

LOP1211901;EDG12937+,EDG12895+,EDG12935-,EDG13199-.  
 LOP1212101;EDG13167+,EDG12959+,EDG12897+,EDG13201-.  
 LOP1212301;EDG13203+,EDG13205+,EDG12907+,EDG13131-.  
 LOP1212501;EDG12909+,EDG13207-,EDG13209-,EDG13001+.  
 LOP1212701;EDG13169+,EDG13201+,EDG12917+,EDG12991+.  
 LOP1212901;EDG13213-,EDG13211-.  
 LOP1212902;EDG12921-,EDG12925-.  
 LOP1213101;EDG13217-,EDG13215-.  
 LOP1213102;EDG12929-,EDG12933-.  
 LOP1213301;EDG13219+,EDG12939+,EDG13221-,EDG13223-.  
 LOP1213501;EDG13227-,EDG12955-,EDG12967-,EDG13225-,EDG12945-,  
 EDG12943-.  
 LOP1213502;EDG13231-,EDG13229-.  
 LOP1213701;EDG12951+,EDG13233-,EDG13235+,EDG13237+.

```
LOP1213901;EDG12953+,EDG13237-,EDG13239+,EDG13233+.
LOP1214101;EDG12983+,EDG13241+,EDG12965-,EDG13149-.
LOP1214301;EDG12969+,EDG13243-,EDG13245+,EDG13247+.
...
/END_LOOPS
/EDGES
  EDG12441;VTX13739,VTX13727; CRV12442 +.
  EDG12443;VTX13727,VTX13734; CRV12444 +.
  EDG12445;VTX13734,VTX13740; CRV12446 +.
  EDG12447;VTX13740,VTX13736; CRV12448 +.
  EDG12449;VTX13736,VTX13716; CRV12450 +.
  EDG12451;VTX13738,VTX13737; CRV12452 +.
  EDG12453;VTX13737,VTX13738; CRV12454 +.
  EDG12455;VTX13725,VTX13736; CRV12456 +.
  EDG12457;VTX13725,VTX13726; CRV12458 +.
  EDG12459;VTX13724,VTX13725; CRV12460 +.
  EDG12461;VTX13723,VTX13724; CRV12462 +.
  EDG12463;VTX13730,VTX13732; CRV12464 +.
  EDG12465;VTX13730,VTX13720; CRV12466 +.
  EDG12467;VTX13720,VTX13719; CRV12468 +.
  EDG12469;VTX13719,VTX13733; CRV12470 +.
...
/END_EDGES
/VERTICES
  VTX14074;PNT140740.
  VTX14077;PNT140770.
  VTX14091;PNT140910.
  VTX14090;PNT140900.
  VTX14095;PNT140950.
  VTX14094;PNT140940.
  VTX14112;PNT141120.
  VTX14115;PNT141150.
  VTX13755;PNT137550.
  VTX13748;PNT137480.
  VTX13783;PNT137830.
  VTX13770;PNT137700.
  VTX13778;PNT137780.
  VTX13767;PNT137670.
  VTX13784;PNT137840.
  VTX14075;PNT140750.
```

```
...
/END_VERTICES
/END_TOPOLOGY
/GEOMETRY
/SURFACES
  SRF11907; CYLINDER; PNT119071; UNV117340; 0.12850013 .
  SRF11908; CYLINDER; PNT119071; UNV117340; 0.12850013 .
  SRF11910; PLANE; UNV117340; 1.18700004 .
  SRF11912; CONE; PNT119121; UNV117440; -0.94405442 .
  SRF11914; CYLINDER; PNT118661; UNV117340; 0.93750000 .
  SRF11916; CYLINDER; PNT118661; UNV117340; 0.87500000 .
  SRF12348; PLANE; UNV117440; -0.12200000 .
  SRF12350; CYLINDER; PNT134680; UNV117440; 0.65649998 .
  SRF12352; CYLINDER; PNT134680; UNV117440; 0.65649998 .
  SRF12354; PLANE; UNV117440; -0.06200000 .
  SRF12356; PLANE; UNV117340; 0.59299999 .
  SRF12358; PLANE; UNV117340; 0.59299999 .
  SRF12360; CONE; PNT138920; UNV117340; 0.51795375 .
  SRF12362; CONE; PNT138920; UNV117340; 0.51795375 .
  SRF12364; CONE; PNT138930; UNV117340; 0.51795363 .
  SRF12366; CONE; PNT138930; UNV117340; 0.51795363 .
  SRF12368; CYLINDER; PNT124080; UNV117340; 1.83700001 .
  SRF12370; CYLINDER; PNT124080; UNV117340; 2.77699995 .
  SRF12372; PLANE; UNV117440; -0.12200000 .
  SRF12374; PLANE; UNV117340; 0.43700001 .
  SRF12376; CYLINDER; PNT124080; UNV117340; 1.83700001 .
```

```
...
/END_SURFACES
/CURVES
  CRV11734; CIRCLE; PNT117340; UNV117340; PNT117341.
  CRV11736; BSPLINE; 3; 24;PNT11736001,PNT11736002,PNT11736003,
    PNT11736004,PNT11736005,PNT11736006,PNT11736007,PNT11736008,
    PNT11736009,PNT11736010,PNT11736011,PNT11736012,PNT11736013,
    PNT11736014,PNT11736015,PNT11736016,PNT11736017,PNT11736018,
    PNT11736019,PNT11736020,PNT11736021,PNT11736022,PNT11736023,
    PNT11736024.
  CRV13296; LINE; PNT139360; UNV117340.
  CRV13302; CIRCLE; PNT133020; UNV117340; PNT139230.
  CRV13304; LINE; PNT139230; UNV117340.
  CRV13306; LINE; PNT139240; UNV117340.
```

CRV13308; CIRCLE; PNT133020; UNV117340; PNT133081.

CRV13310; BSPLINE; 3; 42;PNT13310001,PNT13310002,PNT13310003,  
PNT13310004,PNT13310005,PNT13310006,PNT13310007,PNT13310008,  
PNT13310009,PNT13310010,PNT13310011,PNT13310012,PNT13310013,  
PNT13310014,PNT13310015,PNT13310016,PNT13310017,PNT13310018,  
PNT13310019,PNT13310020,PNT13310021,PNT13310022,PNT13310023,  
PNT13310024,PNT13310025,PNT13310026,PNT13310027,PNT13310028,  
PNT13310029,PNT13310030,PNT13310031,PNT13310032,PNT13310033,  
PNT13310034,PNT13310035,PNT13310036,PNT13310037,PNT13310038,  
PNT13310039,PNT13310040,PNT13310041,PNT13310042.

CRV13312; CIRCLE; PNT133020; UNV117340; PNT139240.

CRV13314; BSPLINE; 3; 16;PNT13314001,PNT13314002,PNT13314003,  
PNT13314004,PNT13314005,PNT13314006,PNT13314007,PNT13314008,  
PNT13314009,PNT13314010,PNT13314011,PNT13314012,PNT13314013,  
PNT13314014,PNT13314015,PNT13314016.

CRV13316; CIRCLE; PNT133160; UNV117340; PNT139200.

CRV13324; CIRCLE; PNT133160; UNV117340; PNT133241.

CRV13412; CIRCLE; PNT134020; UNV117340; PNT134121.

CRV13414; BSPLINE; 3; 16;PNT13414001,PNT13414002,PNT13414003,  
PNT13414004,PNT13414005,PNT13414006,PNT13414007,PNT13414008,  
PNT13414009,PNT13414010,PNT13414011,PNT13414012,PNT13414013,  
PNT13414014,PNT13414015,PNT13414016.

CRV13416; CIRCLE; PNT134160; UNV117340; PNT139330.

CRV13418; LINE; PNT139330; UNV117340.

CRV13420; LINE; PNT139990; UNV117340.

CRV13422; BSPLINE; 3; 29;PNT13422001,PNT13422002,PNT13422003,  
PNT13422004,PNT13422005,PNT13422006,PNT13422007,PNT13422008,  
PNT13422009,PNT13422010,PNT13422011,PNT13422012,PNT13422013,  
PNT13422014,PNT13422015,PNT13422016,PNT13422017,PNT13422018,  
PNT13422019,PNT13422020,PNT13422021,PNT13422022,PNT13422023,  
PNT13422024,PNT13422025,PNT13422026,PNT13422027,PNT13422028,  
PNT13422029.

CRV13424; CIRCLE; PNT134160; UNV117340; PNT134241,

...

/END\_CURVES

/POINTS

PNT12694007; 1.03147268, -1.88477874, 2.65294743 .

PNT12694008; 1.02363145, -1.88648355, 2.64048505 .

PNT12694009; 1.01508069, -1.88823354, 2.62891936 .

PNT12694010; 1.00586081, -1.88999414, 2.61816525 .

```
PNT12694011; 0.99601489, -1.89173067, 2.60823250 .  
PNT12694020; 0.88674426, -1.90130079, 2.55522299 .  
PNT12694021; 0.87319481, -1.90126789, 2.55334210 .  
PNT12694022; 0.85955244, -1.90096474, 2.55223274 .  
PNT12694023; 0.85042524, -1.90058005, 2.55199599 .  
PNT12694024; 0.84586364, -1.90034223, 2.55200005 .  
PNT12720001; 0.84609222, -1.90035415, 2.95799994 .  
PNT12720002; 0.85065025, -1.90059030, 2.95799994 .  
PNT12720003; 0.85976994, -1.90097165, 2.95775509 .  
PNT12720004; 0.87340039, -1.90127027, 2.95663476 .  
PNT12720014; 0.99608731, -1.89171839, 2.90169883 .
```

```
...
```

```
/END_POINTS
```

```
/UNIT_VECTORS
```

```
UNV120460; 0.99452192, 0.10452847, 0.00000000 .  
UNV120500; 0.74314481, -0.66913062, 0.00000000 .  
UNV120540; -0.30901700, -0.95105654, 0.00000000 .  
UNV120940; -0.20791164, 0.97814763, 0.00000000 .  
UNV120980; 0.80901700, 0.58778524, 0.00000000 .  
UNV121220; 0.20791170, 0.97814763, 0.00000000 .  
UNV121260; -0.80901700, 0.58778524, 0.00000000 .
```

```
...
```

```
/END_UNIT_VECTORS
```

```
/END_GEOMETRY
```

```
/END_PART_MODEL
```

**REFERENCES**

- [Barkmeyer86] Barkmeyer, E., Mitchell, M., Mikkilineni, K., Su, S., Lam, H., "An Architecture for Distributed Data Management in Computer Integrated Manufacturing," NBSIR 86-3312, National Bureau of Standards, Gaithersburg, MD, January 1986.
- [Fowler88] Fowler, J.E., "MDP/Part Model Working Group Activity Meeting Summary," Memo, 21 April 1988.
- [Hopp87a] Hopp, T.H., Tu, J.S., "Part Geometry Data in the AMRF," NBSIR 87-3551, National Bureau of Standards, Gaithersburg, MD, April 1987.
- [Hopp87b] Hopp, T.H., "AMRF Database Report Format: Part Model," NBSIR 87-3672, National Bureau of Standards, Gaithersburg, MD, September 1987.
- [Lee88] Lee, Y.T., Ressler, S., "Converting the AMRF Part Model Report to a PDES/STEP Subset," NBSIR 88-3818, National Bureau of Standards, Gaithersburg, MD, July 1988.
- [Ressler87] Ressler, S., "Using The AMRF Part Model Report," NBSIR 87-3531, National Bureau of Standards, Gaithersburg, MD, February 1987.
- [Smith88] Smith, B., Rinaudot, G., eds., "Product Data Exchange Specification," NISTIR 88-4004, National Institute of Standards and Technology, Gaithersburg, MD, December 1988.



NIST-114A  
(REV. 3-89)

U.S. DEPARTMENT OF COMMERCE  
NATIONAL INSTITUTE OF STANDARDS AND TECHNOLOGY

BIBLIOGRAPHIC DATA SHEET

1. PUBLICATION OR REPORT NUMBER  
NISTIR 89-4189

2. PERFORMING ORGANIZATION REPORT NUMBER

3. PUBLICATION DATE  
OCTOBER 1989

4. TITLE AND SUBTITLE

AMRF Part Model Extensions

5. AUTHOR(S)

Allison Barnard

6. PERFORMING ORGANIZATION (IF JOINT OR OTHER THAN NIST, SEE INSTRUCTIONS)

U.S. DEPARTMENT OF COMMERCE  
NATIONAL INSTITUTE OF STANDARDS AND TECHNOLOGY  
GAITHERSBURG, MD 20899

7. CONTRACT/GRANT NUMBER

8. TYPE OF REPORT AND PERIOD COVERED

9. SPONSORING ORGANIZATION NAME AND COMPLETE ADDRESS (STREET, CITY, STATE, ZIP)

10. SUPPLEMENTARY NOTES

DOCUMENT DESCRIBES A COMPUTER PROGRAM; SF-185, FIPS SOFTWARE SUMMARY, IS ATTACHED.

11. ABSTRACT (A 200-WORD OR LESS FACTUAL SUMMARY OF MOST SIGNIFICANT INFORMATION. IF DOCUMENT INCLUDES A SIGNIFICANT BIBLIOGRAPHY OR LITERATURE SURVEY, MENTION IT HERE.)

This document specifies the addition of ellipses, hyperbolas, parabolas, and b-splines to the AMRF Part Model Report Format. These reports are used throughout the AMRF to communicate part model data between application processes and the global AMRF database. Part model data consists of geometry, topology, features, and tolerances. This document is intended to be used by programmers implementing systems that make use of AMRF part model data. While this report is a complete description of the extensions, the document "AMRF Database Report Format: Part Model" by T.H. Hopp (NBSIR 87-3672) is also required to complete the grammar.

12. KEY WORDS (6 TO 12 ENTRIES; ALPHABETICAL ORDER; CAPITALIZE ONLY PROPER NAMES; AND SEPARATE KEY WORDS BY SEMICOLONS)

AMRF, boundary representation, format languages, geometry, PDES, solid models, topology.

13. AVAILABILITY

UNLIMITED  
FOR OFFICIAL DISTRIBUTION. DO NOT RELEASE TO NATIONAL TECHNICAL INFORMATION SERVICE (NTIS).

ORDER FROM SUPERINTENDENT OF DOCUMENTS, U.S. GOVERNMENT PRINTING OFFICE, WASHINGTON, DC 20402.

ORDER FROM NATIONAL TECHNICAL INFORMATION SERVICE (NTIS), SPRINGFIELD, VA 22161.

14. NUMBER OF PRINTED PAGES

31

15. PRICE

A03





